

DESIGNED & DIMENSIONED
IN INCHES[MILLIMETERS]

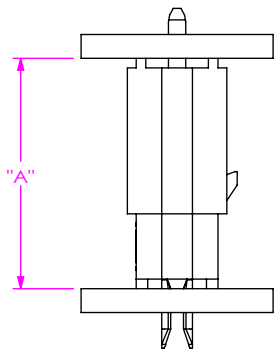


FIG 1
IPBS-X1-S MATED WITH IPBT-H1-S

TABLE 1				
	IPBS-X1-S		WIPE	
	"A" FULLY MATED	"A" MAX	FULLY MATED	MIN
IPBT-H1-S	.600 [15.24]	.663 [16.84]	.078 [1.98]	.015 [0.38]

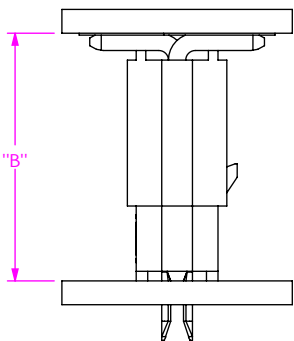


FIG 2
IPBS-X1-S MATED WITH IPBT-H2-S

TABLE 2				
	IPBS-X1-S		WIPE	
	"B" FULLY MATED	"B" MAX	FULLY MATED	MIN
IPBT-H2-S	.645 [16.38]	.708 [17.98]	.078 [1.98]	.015 [0.38]

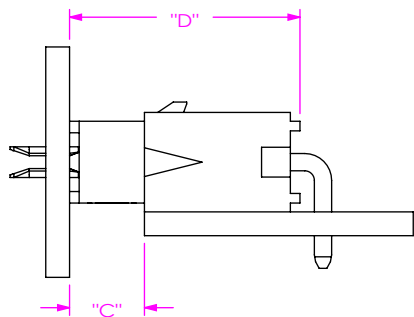


FIG 3
IPBS-X1-S MATED WITH IPBT-RA-S

TABLE 3						
	IPBS-X1-S				WIPE	
	"C" FULLY MATED	"C" MAX	"D" FULLY MATED	"D" MAX	FULLY MATED	MIN
IPBT-RA-S	.195 [4.95]	.258 [6.55]	.600 [15.24]	.663 [16.84]	.078 [1.98]	.015 [0.38]

NOTES:

1. ALL DIMENSIONS BASED ON NOMINAL VALUES FOR SAMTEC RECOMMENDED PCB LAYOUTS.
2. ALTHOUGH MAX DIMENSION ARE LISTED SAMTEC RECOMMENDS FULLY MATING COMPONENTS.

PROPRIETARY NOTE
THIS DOCUMENT CONTAINS CONFIDENTIAL AND PROPRIETARY INFORMATION AND ALL DESIGN, MANUFACTURING, REPRODUCTION, USE, PATENT RIGHTS AND SALES RIGHTS ARE EXPRESSLY RESERVED BY SAMTEC, INC. THIS DOCUMENT SHALL NOT BE DISCLOSED, IN WHOLE OR PART, TO ANY UNAUTHORIZED PERSON OR ENTITY NOR REPRODUCED, TRANSFERRED OR INCORPORATED IN ANY OTHER PROJECT IN ANY MANNER WITHOUT THE EXPRESS WRITTEN CONSENT OF SAMTEC, INC.



520 PARK EAST BLVD, NEW ALBANY, IN 47150
PHONE: 812-944-6733 FAX: 812-948-5047
e-Mail: info@SAMTEC.com code: 55322

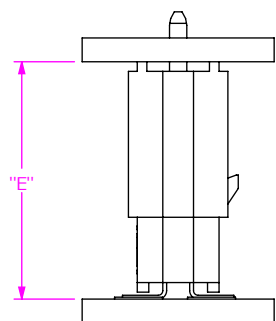


FIG 4
IPBS-X2-S MATED WITH IPBT-H1-S

TABLE 4				
	IPBS-X2-S		WIPE	
	"E" FULLY MATED	"E" MAX	FULLY MATED	MIN
IPBT-H1-S	.618 [15.70]	.681 [17.29]	.078 [1.98]	.015 [0.38]

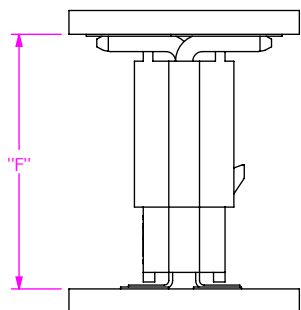


FIG 5
IPBS-X2-S MATED WITH IPBT-H2-S

TABLE 5				
	IPBS-X2-S		WIPE	
	"F" FULLY MATED	"F" MAX	FULLY MATED	MIN
IPBT-H2-S	.663 [16.84]	.726 [18.44]	.078 [1.98]	.015 [0.38]

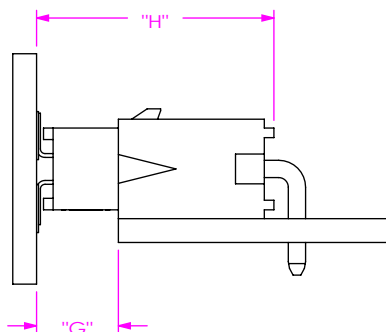


FIG 6
IPBS-X2-S MATED WITH IPBT-RA-S

TABLE 6						
	IPBS-X2-S				WIPE	
	"G" FULLY MATED	"G" MAX	"H" FULLY MATED	"H" MAX	FULLY MATED	MIN
IPBT-RA-S	.195 [4.95]	.258 [6.55]	.600 [15.24]	.663 [16.84]	.078 [1.98]	.015 [0.38]

PROPRIETARY NOTE
THIS DOCUMENT CONTAINS CONFIDENTIAL AND PROPRIETARY INFORMATION AND ALL DESIGN, MANUFACTURING, REPRODUCTION, USE, PATENT RIGHTS AND SALES RIGHTS ARE EXPRESSLY RESERVED BY SAMTEC, INC. THIS DOCUMENT SHALL NOT BE DISCLOSED, IN WHOLE OR PART, TO ANY UNAUTHORIZED PERSON OR ENTITY NOR REPRODUCED, TRANSFERRED OR INCORPORATED IN ANY OTHER PRODUCT IN ANY MANNER WITHOUT THE EXPRESS WRITTEN CONSENT OF SAMTEC, INC.



520 PARK EAST BLVD, NEW ALBANY, IN 47150
PHONE: 812-944-6733 FAX: 812-948-5047
e-Mail: info@SAMTEC.com code: 55322

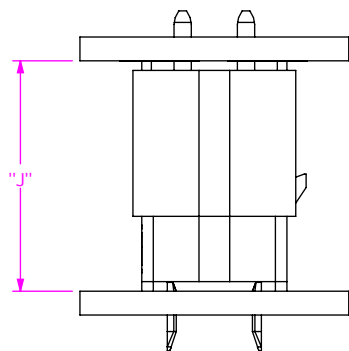


FIG 7
IPBS-X1-D MATED WITH IPBT-H1-D

TABLE 7				
	IPBS-X1-D		WIPE	
	"J" FULLY MATED	"J" MAX	FULLY MATED	MIN
IPBT-H1-D	.600 [15.24]	.663 [16.84]	.078 [1.98]	.015 [0.38]

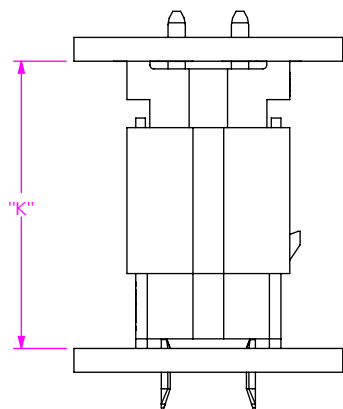


FIG 8
IPBS-X1-D MATED WITH IPBT-H(3,4,5,6)-D

TABLE 8				
	IPBS-X1-D		WIPE	
	"K" FULLY MATED	"K" MAX	FULLY MATED	MIN
IPBT-H3-D	.669 [16.99]	.732 [18.59]	.078 [1.98]	.015 [0.38]
IPBT-H4-D	.748 [19.00]	.811 [20.59]	.078 [1.98]	.015 [0.38]
IPBT-H5-D	.787 [19.99]	.850 [21.58]	.078 [1.98]	.015 [0.38]
IPBT-H6-D	.984 [24.99]	1.047 [26.59]	.078 [1.98]	.015 [0.38]

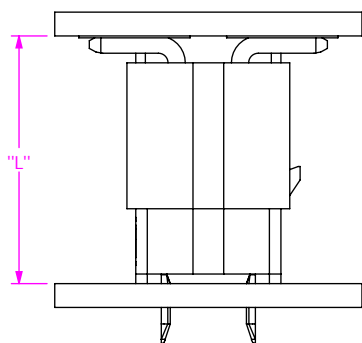


FIG 9
IPBS-X1-D MATED WITH IPBT-H2-D

TABLE 9				
	IPBS-X1-D		WIPE	
	"L" FULLY MATED	"L" MAX	FULLY MATED	MIN
IPBT-H2-D	.645 [16.38]	.708 [17.98]	.078 [1.98]	.015 [0.38]

PROPRIETARY NOTE
 THIS DOCUMENT CONTAINS CONFIDENTIAL AND PROPRIETARY INFORMATION AND ALL DESIGN, MANUFACTURING, REPRODUCTION, USE, PATENT RIGHTS AND SALES RIGHTS ARE EXPRESSLY RESERVED BY SAMTEC, INC. THIS DOCUMENT SHALL NOT BE DISCLOSED, IN WHOLE OR PART, TO ANY UNAUTHORIZED PERSON OR ENTITY NOR REPRODUCED, TRANSFERRED OR INCORPORATED IN ANY OTHER PROJECT IN ANY MANNER WITHOUT THE EXPRESS WRITTEN CONSENT OF SAMTEC, INC.



520 PARK EAST BLVD, NEW ALBANY, IN 47150
 PHONE: 812-944-6733 FAX: 812-948-5047
 e-Mail: info@SAMTEC.com code: 55322

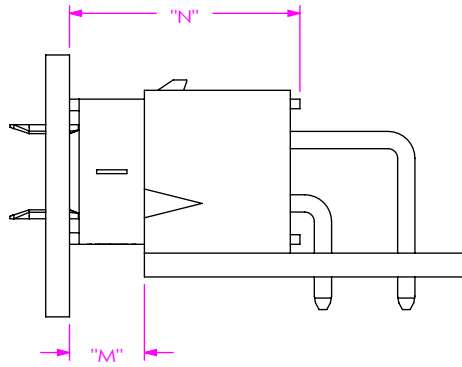


FIG 10
IPBS-X1-D MATED WITH IPBT-RA-D

TABLE 10						
	IPBS-X1-D				WIPE	
	"M" FULLY MATED	"M" MAX	"N" FULLY MATED	"N" MAX	FULLY MATED	MIN
IPBT-RA-D	.195 [4.95]	.258 [6.55]	.600 [15.24]	.663 [16.84]	.078 [1.98]	.015 [0.38]

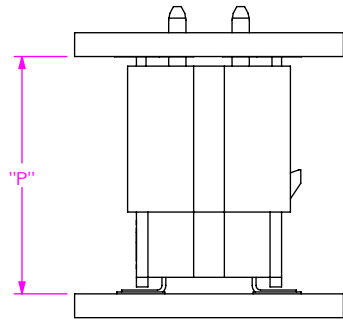


FIG 11
IPBS-X2-D MATED WITH IPBT-H1-D

TABLE 11				
	IPBS-X2-D		WIPE	
	"P" FULLY MATED	"P" MAX	FULLY MATED	MIN
IPBT-H1-D	.618 [15.70]	.681 [17.29]	.078 [1.98]	.015 [0.38]

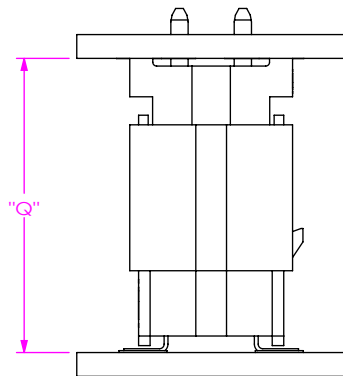


FIG 12
IPBS-X2-D MATED WITH IPBT-H(3, 4, 5, 6)-D

TABLE 12				
	IPBS-X2-D		WIPE	
	"Q" FULLY MATED	"Q" MAX	FULLY MATED	MIN
IPBT-H3-D	.687 [17.45]	.750 [19.04]	.078 [1.98]	.015 [0.38]
IPBT-H4-D	.766 [19.46]	.829 [21.05]	.078 [1.98]	.015 [0.38]
IPBT-H5-D	.805 [20.45]	.868 [22.04]	.078 [1.98]	.015 [0.38]
IPBT-H6-D	1.002 [25.45]	1.065 [27.05]	.078 [1.98]	.015 [0.38]

PROPRIETARY NOTE
THIS DOCUMENT CONTAINS CONFIDENTIAL AND PROPRIETARY INFORMATION AND ALL DESIGN, MANUFACTURING, REPRODUCTION, USE, PATENT RIGHTS AND SALES RIGHTS ARE EXPRESSLY RESERVED BY SAMTEC, INC. THIS DOCUMENT SHALL NOT BE DISCLOSED, IN WHOLE OR PART, TO ANY UNAUTHORIZED PERSON OR ENTITY NOR REPRODUCED, TRANSFERRED OR INCORPORATED IN ANY OTHER PROJECT IN ANY MANNER WITHOUT THE EXPRESS WRITTEN CONSENT OF SAMTEC, INC.



520 PARK EAST BLVD, NEW ALBANY, IN 47150
PHONE: 812-944-6733 FAX: 812-948-5047
e-Mail: info@SAMTEC.com code: 55322

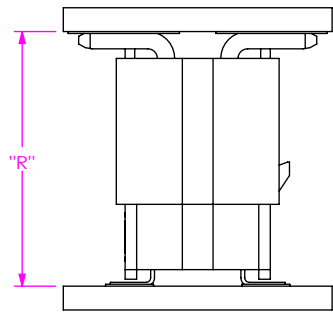


FIG 13
IPBS-X2-D MATED WITH IPBT-H2-D

TABLE 13				
	IPBS-X2-D		WIPE	
	"R" FULLY MATED	"R" MAX	FULLY MATED	MIN
IPBT-H2-D	.663 [16.84]	.726 [18.44]	.078 [1.98]	.015 [0.38]

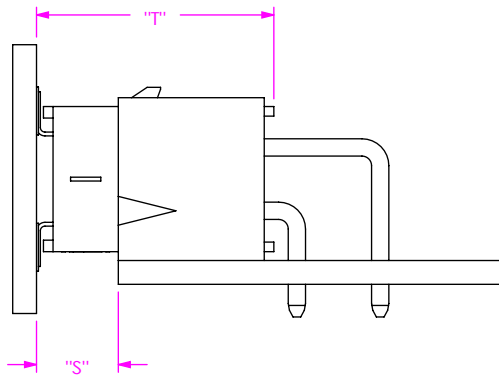


FIG 14
IPBS-X2-D MATED WITH IPBT-RA-D

TABLE 14						
	IPBS-X2-D				WIPE	
	"S" FULLY MATED	"S" MAX	"T" FULLY MATED	"T" MAX	FULLY MATED	MIN
IPBT-RA-D	.213 [5.41]	.276 [7.01]	.618 [15.70]	.681 [17.29]	.078 [1.98]	.015 [0.38]

PROPRIETARY NOTE
 THIS DOCUMENT CONTAINS CONFIDENTIAL AND PROPRIETARY INFORMATION AND ALL DESIGN, MANUFACTURING, REPRODUCTION, USE, PATENT RIGHTS AND SALES RIGHTS ARE EXPRESSLY RESERVED BY SAMTEC, INC. THIS DOCUMENT SHALL NOT BE DISCLOSED, IN WHOLE OR PART, TO ANY UNAUTHORIZED PERSON OR ENTITY NOR REPRODUCED, TRANSFERRED OR INCORPORATED IN ANY OTHER PROJECT IN ANY MANNER WITHOUT THE EXPRESS WRITTEN CONSENT OF SAMTEC, INC.



520 PARK EAST BLVD, NEW ALBANY, IN 47150
 PHONE: 812-944-6733 FAX: 812-948-5047
 e-Mail: info@SAMTEC.com code: 55322